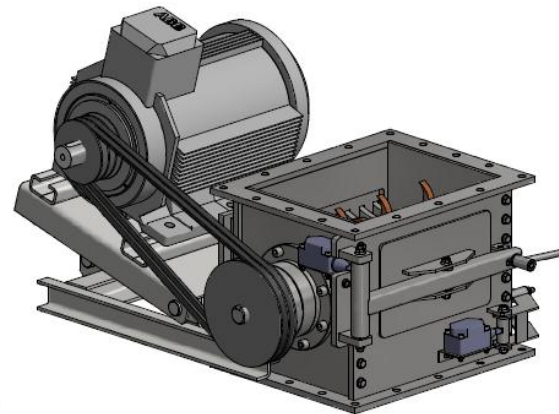
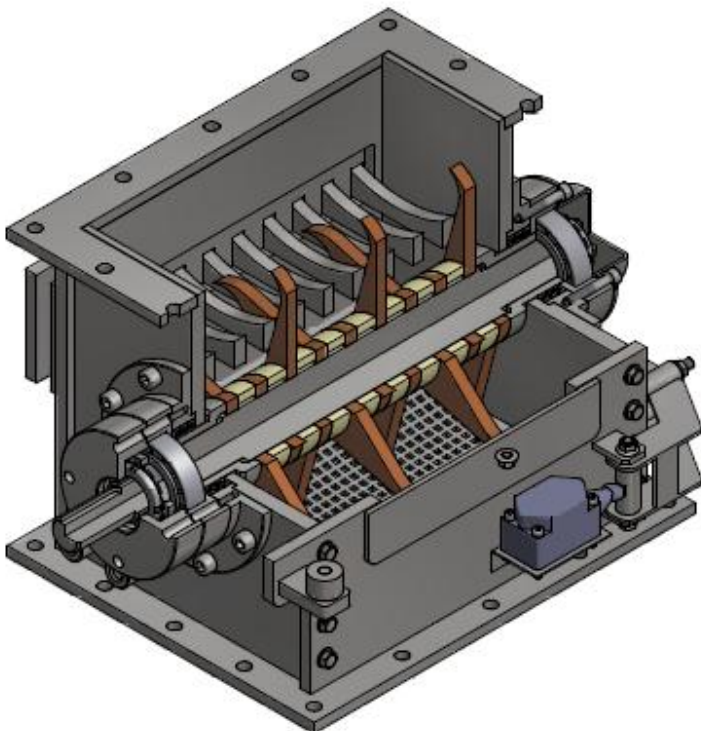
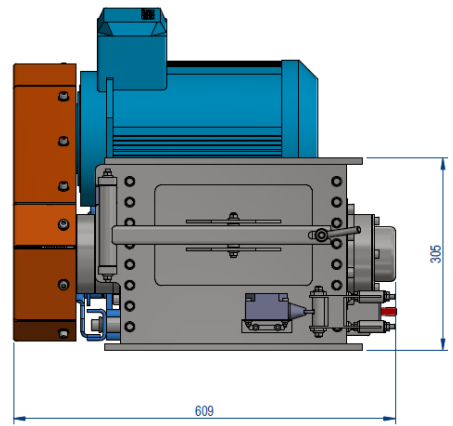
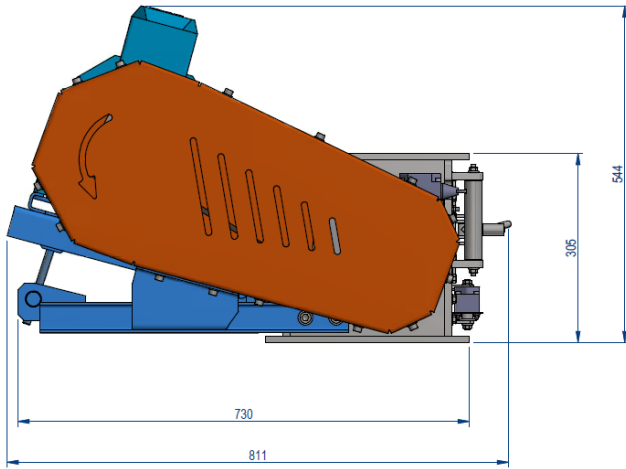
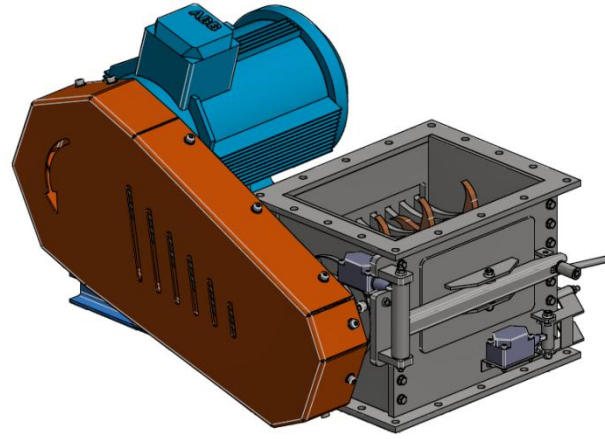
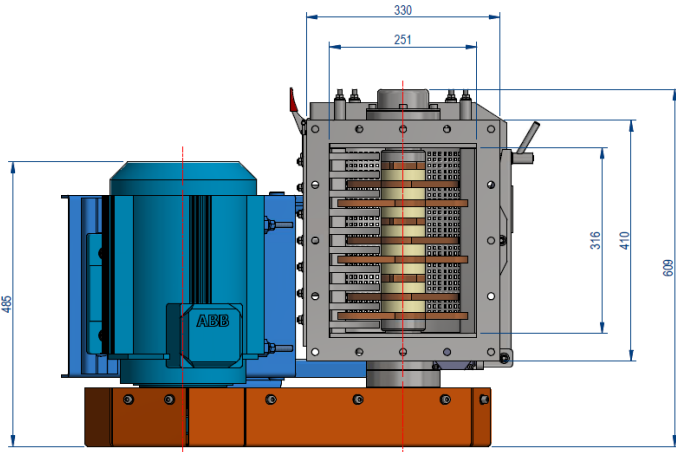


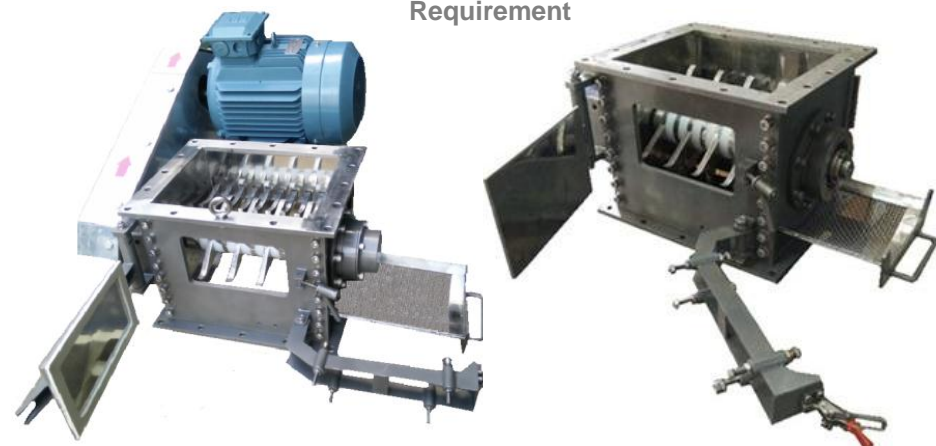
# Food Grade Lump Breaker

THEREC CORPORATION LTD.





Very Easy Cleaning in all Parts, suit for Both Food & Chemical Industry Requirement



### A compact and robust designed ,Lump breaker and Coarse grinder / Model : TRC 1012

- Heavy duty construction with Bolted frames
- Heavy duty bearing with very large shaft size
- Replaceable blades and fingers
- Bolted removable screen with side opening door
- Food grade seal and gasket
- Totally enclosed drive guard
- Safety switch for all door opening protection
- Top safety screen on option
- Factory assembled with commissioning test report
- Material in stainless steel 304 316 and Teflon
- Finishing surface polishing ,up to requirement
- Screen size 3 mm to 50 mm
- Motor power 2.2 to 5.5 kw ,Running speed up to 600 rpm

#### Optional items

- Adjustable inlet chute
- Inlet hopper and adaptor, Outlet adapter
- Small bag dumping station, with or without dust collector
- Top safety screen
- Portable support frame, with wheel
- Direct drive with shaft coupling & geared motor
- Variable speed drive
- Shaft speed monitoring / material flow switch
- Shear pin torque limiter for safety protection



Wey Protein Powder Lump breaking test at F&N Food, Ayutthaya

[www.therecorp.com](http://www.therecorp.com)